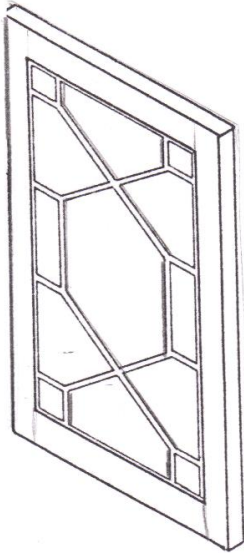
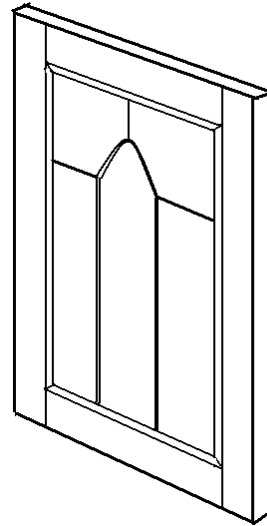


Door Styles

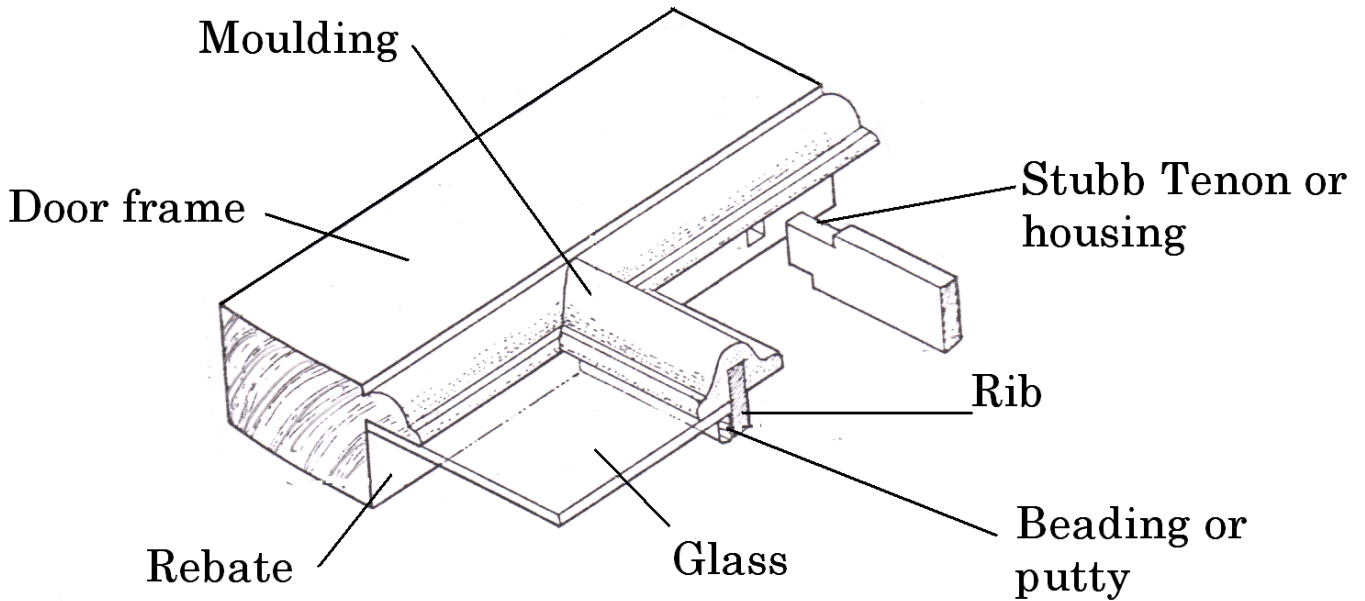
Glazed Bar Doors



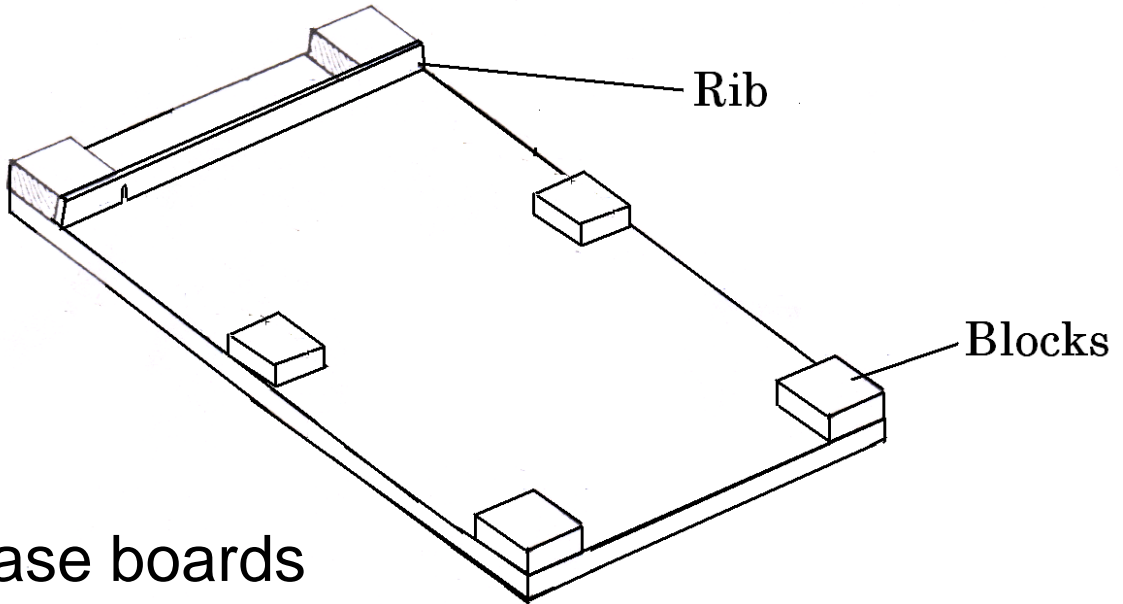
13 Pane Bar Door



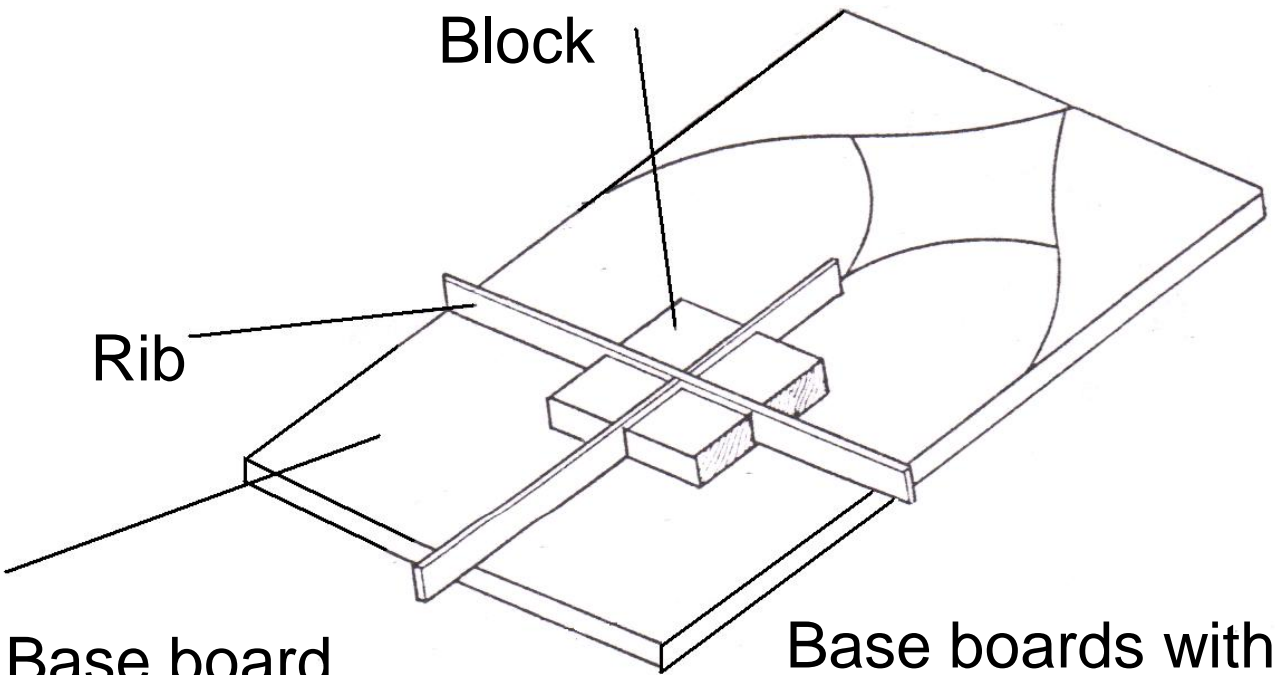
Tracery Bar Door



Glazed Bar Doors



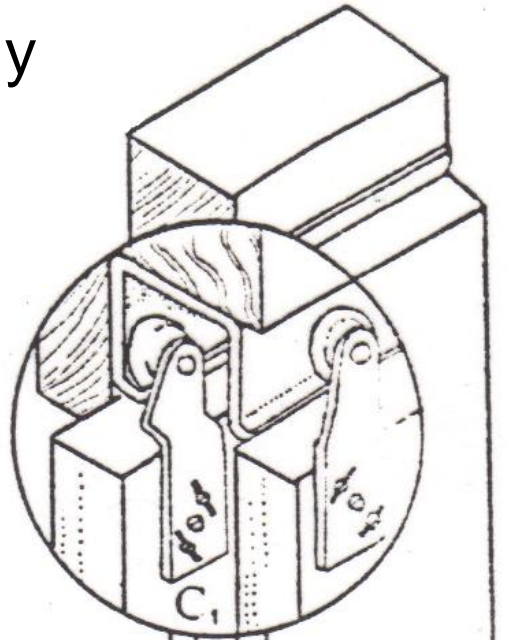
Base boards
with blocks



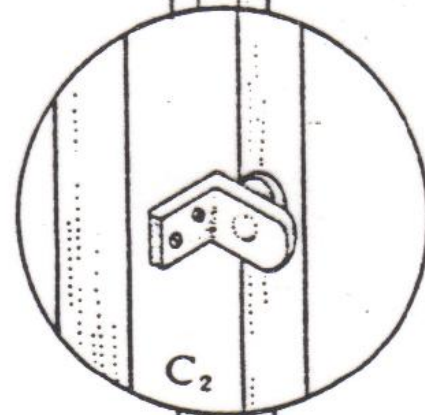
Base boards with
Tracery pattern
& blocks

Sliding Doors

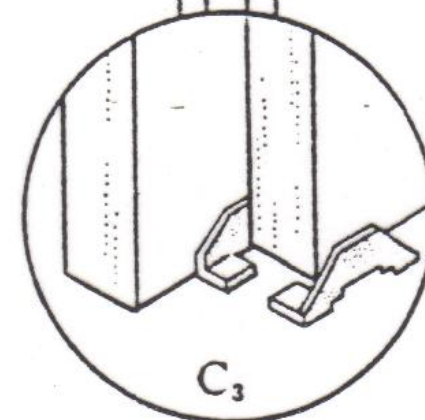
Large doors are usually top hung with two wheels per door running in channels
Roller bearing in tracks



Centre support
Buffer stops prevent heavy doors pinching fingers

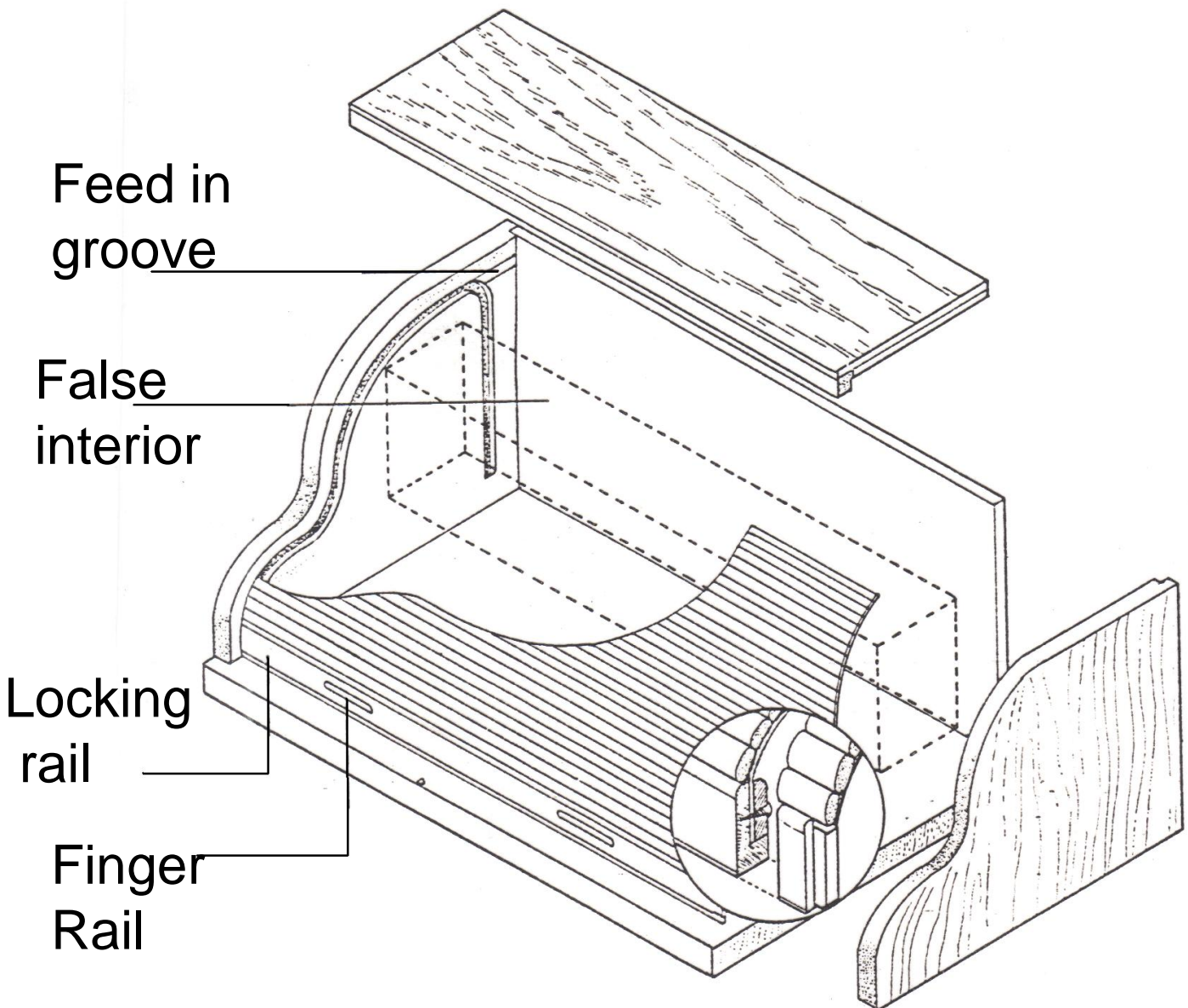


Door bottoms slide in nylon guides



Tambour Doors

- Tambours are pushed & pulled to open & close.



Tambour Doors

- A Tambour door is a sliding door
- Wooden slats cramped onto a baseboard
- A canvas sheet is glued onto the slats.

